

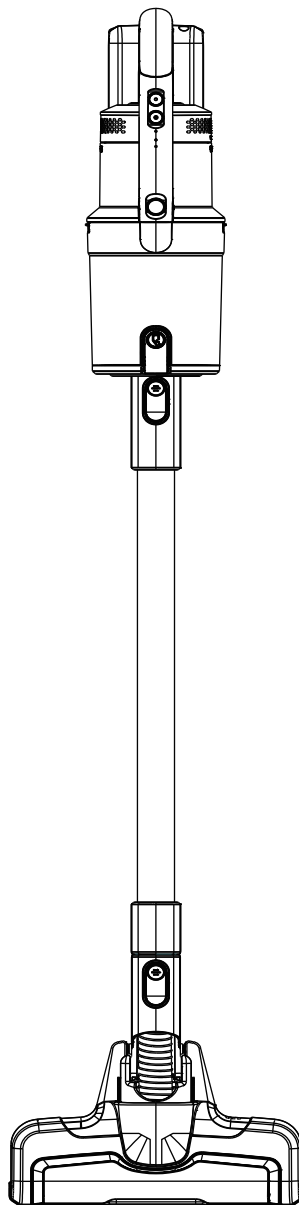


**Vacuum Cleaner
MCS1825WB**

**PLEASE READ THE
MANUAL CAREFULLY
BEFORE USING AND
KEEP IT PROPERLY
FOR FUTURE USE**

**Warning notices: Before
using this product, please
read this manual carefully
and keep it for future
reference.
The design and
specifications are subject to
change without prior notice
for product improvement.
Consult with your dealer or
manufacturer for details.**

INSTRUCTION MANUAL



IMPORTANT SAFETY INSTRUCTIONS

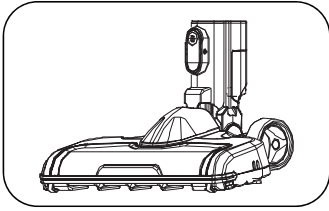
This section contains safety instructions that will help protect from risk of personal injury or property damage. Failure to follow these instructions invalidates the given warranty.

- This appliance complies with international safety standards.
- Children shall not play with the appliance. Cleaning and user maintenance shall not be made by children without supervision.
- If the adapter or the appliance itself is damaged, do not use it. Contact an authorised service centre.
- Prevent damage to the power cable by not squeezing, bending, or rubbing it on sharp edges.
- Do not touch the appliance or its plug when it is plugged if your hands are damp or wet.
- Do not pull the power cable when unplugging the appliance.
- Do not vacuum flammable materials and when vacuuming cigarette ash, make sure that it has cooled down.
- Do not vacuum water or other liquids.
- Protect the appliance from rain, humidity and heat sources.
- Never use the appliance in or near places where combustible or flammable environments are present.
- Unplug the appliance before cleaning and maintenance.
- Do not immerse the appliance in water for cleaning.
- Do not attempt to dismantle the appliance.
- Use the original parts or parts recommended by the manufacturer only.
- Do not attempt to vacuum particles such as cement, plaster and compressed paper in order to prevent the filter from being clogged and the motor being damaged.
- If the adapter is damaged, it must be replaced by the manufacturer or its agent or similarly qualified person in order to avoid hazard.

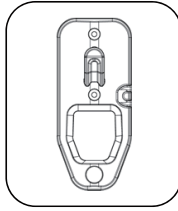
IMPORTANT SAFETY INSTRUCTIONS

- Use the appliance only with the power adapter supplied.
- Do not use the appliance without filters fitted, otherwise it can get damaged.
- If you keep the packaging materials, store them out of the reach of children.
- This appliance is not intended for use by persons (including children) with reduced physical, sensory or mental capabilities, or lack of experience and knowledge, unless they have been given supervision or instruction concerning use of the appliance by a person responsible for their safety.
- Children should be supervised to ensure that they do not play with the appliance.
- The appliance is only to be used with the power supply unit provided with the appliance.
- The adapter must be removed from the socket-outlet and the battery pack must be removed from the appliance before cleaning or maintaining the appliance
- Keep fingers, hair and loose clothing from moving parts and openings whilst using the vacuum cleaner.
- The battery must be removed from the appliance before it is scrapped;
- Please dispose of used batteries according to local laws and regulations.
- This appliance contains batteries that are only replaceable by skilled persons.
- The supply terminals are not to be short-circuited.

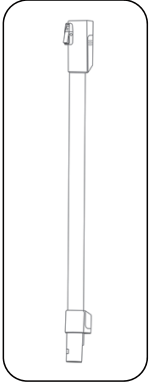
PRODUCT OVERVIEW



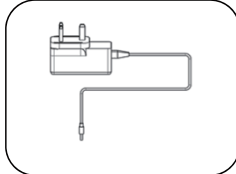
Floor head



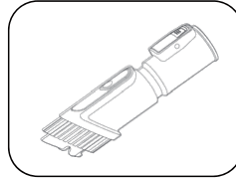
wall bracket



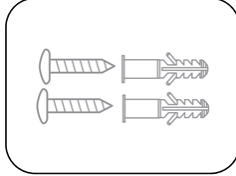
Extension tube



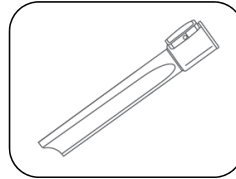
Adaptor/charger



Combination nozzle

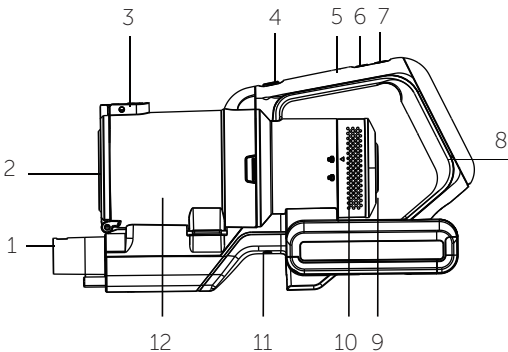


Wall fixings



Crevice nozzle

Part identification



- 1 Accessory attachment point
- 2 Collection container lid
- 3 Dust release button
- 4 Dust container release button
- 5 Battery indicator light
- 6 Low/high mode button
- 7 Power on/off button
- 8 Handle
- 9 Filter cover
- 10 Motor filter
- 11 Mounting Recess
- 12 Dust container

Operation

Charging the Vacuum

This vacuum uses a rechargeable 25.2V Lithium battery. We recommend to fully charge before using for the first time. It takes 3-5 hours.

1. Place the body of the cleaner onto a flat surface either a table or fit into the wall bracket.

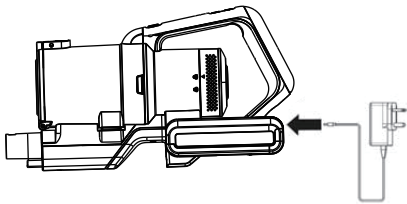


Fig. 1

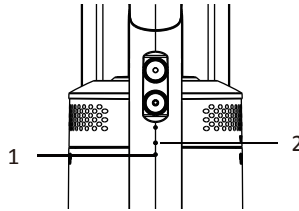


Fig. 2

2. Insert the adaptor cord into the DC jack at the end of the cleaner handle and plug the adaptor into the mains supply socket (fig.1).
3. The light indicator shows the status (Fig 2):
Charging: Light 1 flash, light 2 off
Half charged: Light 1 on, light 2 flash
Fully charged: Light 1 & 2 on, then off in 10 mins
Low battery: Light 1 flash, light 2 off

Notes

- Light indicator 1(Fig 2) will flash when the battery is running low and needs to be recharged, If recharge is not commenced, the vacuum will power off.
- Only charge or recharge the vacuum indoors.
- Do not recharge the battery when the air temperature is below 0°C or above 37°C.
- Batteries become hot after heavy use and will become difficult to charge. Allow to cool after use and wait about an hour between recharges.

Operation

Assembling your vacuum

Bringing it all together

- Safety**
- Before drilling into wall surface, check for hidden cables or pipes.
 - Wear safety goggles and dust mask when drilling.
 - The use of a residual current device (RCD) is recommended when working with power tools.
- Tools required**
- Drill fitted with a 6mm masonry drill bit
 - Screwdriver
 - Pencil
 - Ruler
 - Spirit level

1. Choose a suitable location for the wall bracket away from areas where it will get wet or knocked and close to a socket outlet. Check that the charge cable will reach the mains socket (180cm distance max) and that there is sufficient space above and below the bracket (approx. 125cm below) for the fully assembled vacuum cleaner to be inserted. No part of the vacuum cleaner should touch the floor when fitted into the bracket (fig 6).

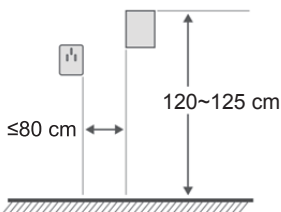


Fig. 4

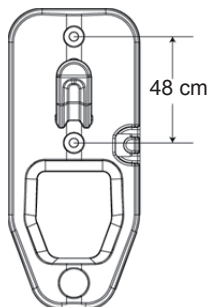


Fig. 5

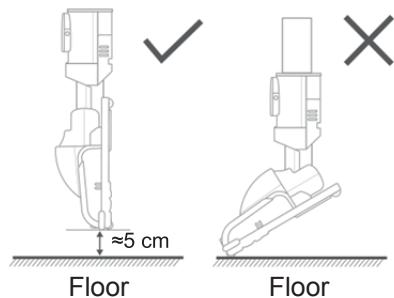


Fig. 6

Operation

2. Place the bracket in the desired position and using a pencil, mark the position for the two screw holes. Using a ruler, draw a line joining the points marked for the two screws and using a spirit level, check that it is on the same level.
3. If fixing to a masonry wall, use a masonry drill bit, drill holes to a depth of 30mm and insert the wall plugs.
4. If fixing to ceramic tiles, use a tile and glass drill bit to drill through the tile and then drill holes to a depth of approximately 32 mm using a masonry drill bit. Insert the wall plugs beyond the depth of the tile.
5. Hold the bracket into position, align the fixing holes in the bracket with the wall plugs and insert the screws until the bracket is held firmly into position.
6. Fit the nozzles onto their storage posts, and insert the assembled vacuum cleaner into the bracket (fig.7).

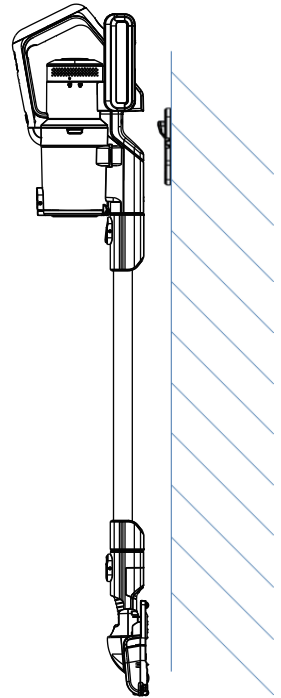


Fig. 7

Notes:

- If fixing the bracket to timber, follow the directions above, but only drill a small pilot hole for each screw and do not use wall plugs. This fitting is not suitable for mounting onto doors.
- If fixing to hollow plasterboard walls, use a drill bit suitable for wood and use wall anchors suitable for cavity walls. For maximum strength locate into wall studs and cross braces if possible.

Operation

Assembly

1. Insert the extension tube onto the body of the vacuum as shown (fig. 8) and push to secure, a click will be heard.
2. Push fit the floor head onto the extension tube (fig. 8), a click will be heard. The crevice nozzle and combination nozzle can be fitted in place of the floor head.

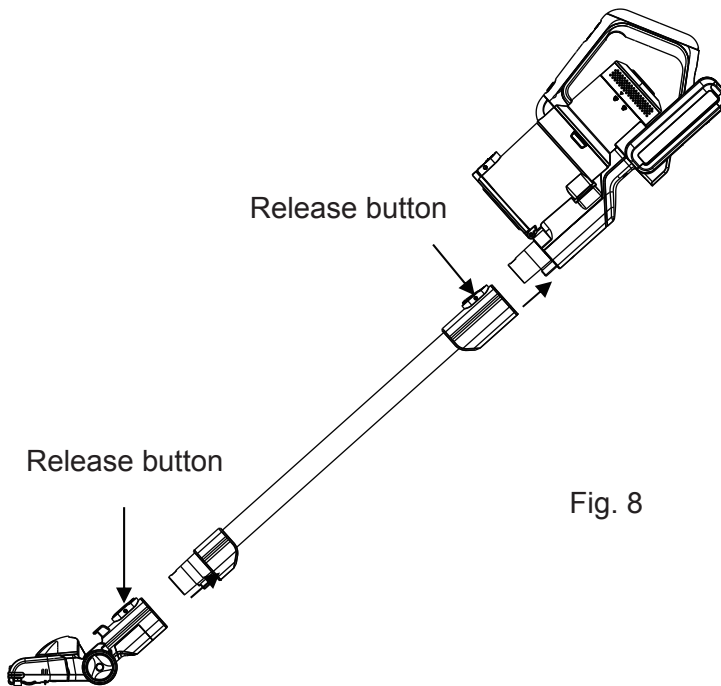


Fig. 8

3. Alternatively, do not use the extension tube and fit the crevice nozzle or combination nozzle directly onto the body of the vacuum cleaner (fig. 9). The floor head can be fitted in a similar manner, but if using in this configuration **ensure hands are kept away from the floor head during operation** – due to a potential entrapment hazard.

Operation

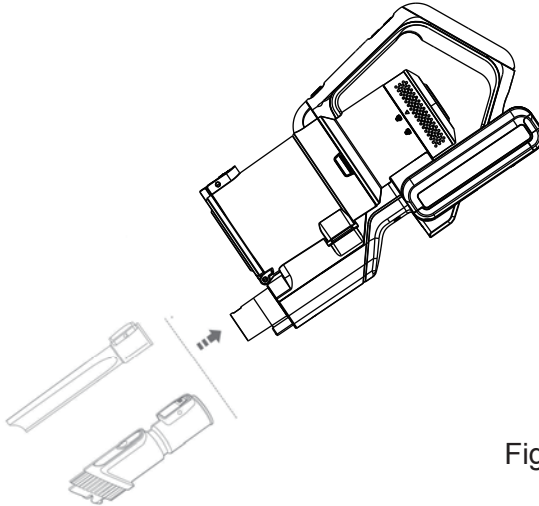
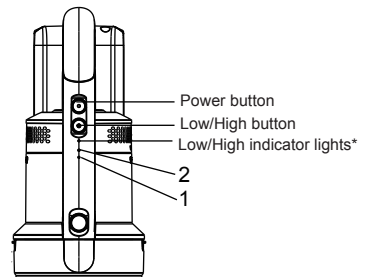


Fig. 9

4. To remove the all parts press the release button and accessories firmly pull apart.

Getting started

1. Fit the correct nozzle for the cleaning application, ensure that the battery has sufficient charge.
2. Click power button once to start, the LED lights on the floor head (if fitted) will illuminate and the vacuum cleaner will start with middle power mode. Use Low/Mid/High button to switch between modes. The vacuum cleaner may be used for 20min with high power mode and 45min with low power mode.



3. Click the power button again to stop the vacuum cleaner after use.
4. Store the vacuum in the wall bracket when not in use.

*Note: Low power mode is indicated with no indicator lights. Mid power mode with the white indicator light and High power mode, with the Blue indicator light.

MAINTENANCE

Maintenance

Disconnect the charger from the vacuum cleaner before carrying out cleaning and maintenance.

To ensure your vacuum cleaner works at optimum efficiency, keep the ventilation holes and vacuum cleaner surface free from dirt.

Ensure that the dust container is emptied and the air filters are washed regularly.

1. Wipe the outside of the vacuum cleaner and accessories with a damp (not wet) cloth and then wipe dry. Do not use detergents, solvents or abrasives as these may scratch or damage the surface.
2. Never immerse the vacuum cleaner, battery or charger in water.
3. When not in use, store in a cool, dry place.

Emptying the dust container

1. When the dust container reaches the MAX line marked on the container (fig 11) or when the suction power is reduced, it is time to empty the dust container.
2. Position the dust container over a refuse bin, then press the lever at the front of the container to open the base (fig. 12) and empty the container. Gently tap the container against the side of the bin to remove any stubborn dust.

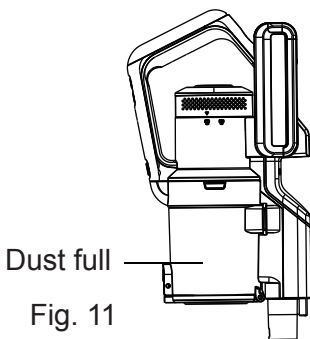


Fig. 11

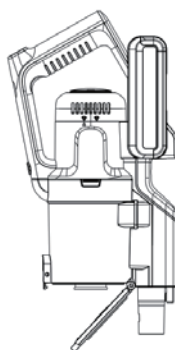


Fig. 12

3. The inside of the dust container may be wiped clean with a damp cloth. Dry with a soft dry cloth before closing the flap. A click will be heard when it is correctly engaged.

MAINTENANCE

Cleaning the filters

1. The frequency that the filters should be cleaned will depend on appliance usage. For maximum efficiency the filter within the dust container should be cleaned every time the dust container is emptied and the exhaust filter at the top every three months.
2. Click the dust container release button, located on the front of the handle just above the dust container and pull dust container out (Fig 13).
3. Lift out the cyclone from dust container (Fig 14), lift out pre-motor filter and shake off dust frequently. Every three months rinse filter and dry thoroughly (Fig 15), turn the filter assembly head anti-clockwise to disassemble the inner filter (Fig 16), wash with running water, and make sure it is dry before next use (Fig 17).

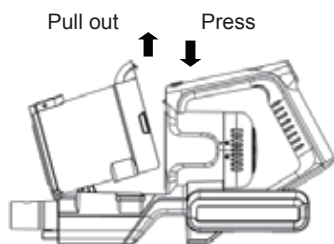


Fig. 13



Fig. 14

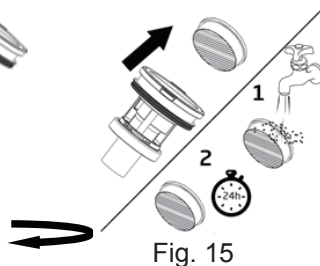


Fig. 15

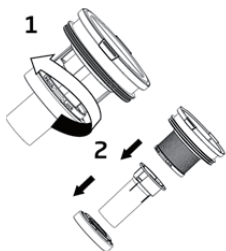


Fig. 16

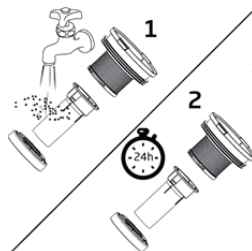


Fig. 17

MAINTENANCE

4. Tap the filter against a dustbin to remove most of the dust and then wash the filter in cold running water until the water runs clear. Allow to air dry fully. Using a damp or wet filter will reduce the suction and damage the motor.
5. The filter assembly can also be washed under running water if needed.
6. When the filter and assembly are completely dry, reverse the above steps and refit the filter into the dust container and close the flap.
7. To clean or replace the post-motor filter, turn the cover anticlockwise and lift off the cover(fig. 19), remove the filter(Fig.20), wash and dry the filter in accordance with step 4.
8. Refit the filter and cover onto the cleaner.

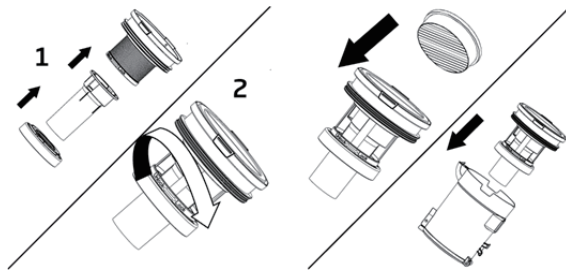


Fig. 18

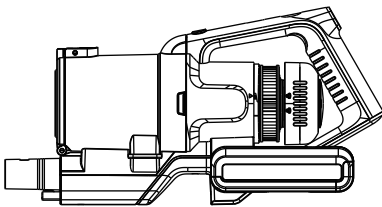


Fig. 19

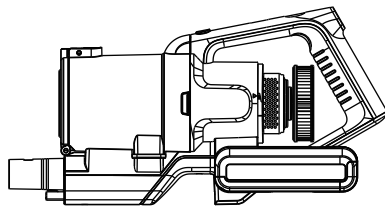
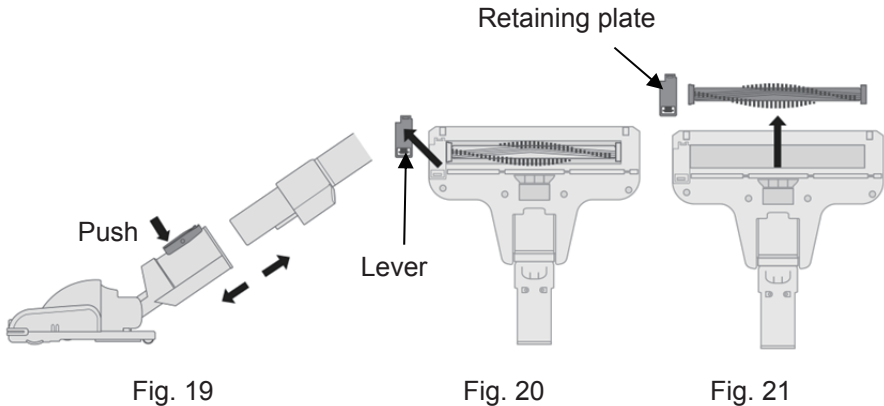


Fig. 20

MAINTENANCE

Cleaning the brush

1. The frequency that the brush should be cleaned will depend on appliance usage. Always stop the vacuum and clean the brush head if the indicators turn white or if the floor head brush stops rotating.
2. Remove the floor head from the cleaner (fig. 19).
3. Push the small lever at the side of the brush in the direction of the front of the floor head and lift off the retaining plate (fig. 20).
4. Lift out the roller brush (fig. 21) and remove any thread, fluff or other obstructions. The brush roller can also be washed under running water if needed. Allow to fully dry.
5. Refit the brush roller and secure into position by fitting the retaining plate.



TECHNICAL DATA

Motor Power: 150W

Adaptor Input: 100-240V~ 50-60Hz 0.5A

Output: 25.0V $\overline{=}$ 0.5A 12.5W
29.0V $\overline{=}$ 0.5A 14.5W

Battery Type: 25.2V, 2000mAh, Li-ion

battery Charging Time: 3-5 hours

Dust Bin Volume: 0.65L

Running Time: Max Power Mode: \geq 20mins

Min Power Mode: \geq 45ins

Follow the instructions by paying attention to all the information and warnings in the user manual.

TROUBLESHOOTING

Common failure	Possible cause	Solutions
The vacuum doesn't work	Product has powered off or battery is low	Please charge the product before use
	Product suction port is blocked	Cleaning product suction mouth
Suction is too weak	Dust barrel & filter assembly is dusty/full	Clean the dustbin and filter material
	Rolling brush is wrapped around the hair and other objects	Clean roller brush
	Tube has an obstruction	Carefully clean and check for blockages
Different motor operation sound	The tube is partially blocked	Carefully clean and clear
	Filter assembly is blocked	Thoroughly clean the filters
Product can not be charged	Charger not properly connected	Please check connections
	Mains supply is not switched on	Check the mains supply is switched on
	Situation still remains	Check with a service centre